



enerpac zu-class hydraulic wrench pumps



ENERPAC ZU-Class Hydraulic Torque Wrench Pumps are engineered and manufactured for maximum duty cycle to 10,000 PSI (700 BAR). The rugged, high-efficiency design delivers the most oil flow in the smallest package.

Every component has been engineered to outperform older models. The universal motor allows for high output with less current draw. The ZU-Class Hydraulic Wrench Pump is available with optional digital LCD display and recordable data readout.

The ZU-Class Hydraulic Torque Wrench Pump uses high pressure hydraulics to operate torque wrench systems that deliver accurate load to the bolt. Using a multi-port manifold allows any number of hydraulic wrenches to be ported to the same ZU-Class Hydraulic Torque Wrench Pump to provide even amounts of simultaneous torque over multiple studs or bolts as required.



extreme bolt working solutions

TORKWORX delivers the quality tooling required to shorten outages and save millions in downtime. TORKWORX customers are assured of the most competent and cost effective solutions.... Done Right the First Time.

extreme advancements

Patented Z-CLASS pump technology provides high by-pass pressures for increased productivity—important in applications using long hose runs and high pressure-drop circuits, like heavy lifting or certain double-acting torque tools. Enerpac ZU4 Hydraulic Pumps are built to power small to large torque wrenches.

- Features Z-CLASS high-efficiency pump design; higher oil flow and bypass pressure, cooler running and requires 18% less current draw than comparable pumps
- Powerful 1.7 hp universal electric motor provides high power-to-weight ratio and excellent low-voltage operating characteristics
- High-strength, molded composite shroud protects motor and electrical components, while providing an ergonomic, non-conductive handle for easy transport
- Low-voltage pendant provides additional safety for the operator
- 60 cubic inches per minute flow rate @ 10,000 PSI (700 BAR)

superior technology

- Classic Electric Torque Wrench Pump has traditional electro-mechanical components (transformers, relays and switches) in place of solid-state electronics. The Classic delivers durable, safe and efficient hydraulic power.
- Pro Series Electric Torque Wrench Pump has Digital (LCD) display features a built-in hour meter, pressure display and shows self-diagnostic, cycle-count and low voltage warning information. These premium features are not available on any other pump—anywhere!
- AutoCycle feature provides continuous cycle operation of the torque wrench as long as the advance button is pressed. (Pump can be used with or without AutoCycle feature).

SALES
RENTAL
SERVICE
CONSULTING
ENGINEERING

8319 THORA LANE
HANGAR E2
SPRING, TX 77379
888.502.WORX ph
713-481-6220 fax
www.torkworx.com

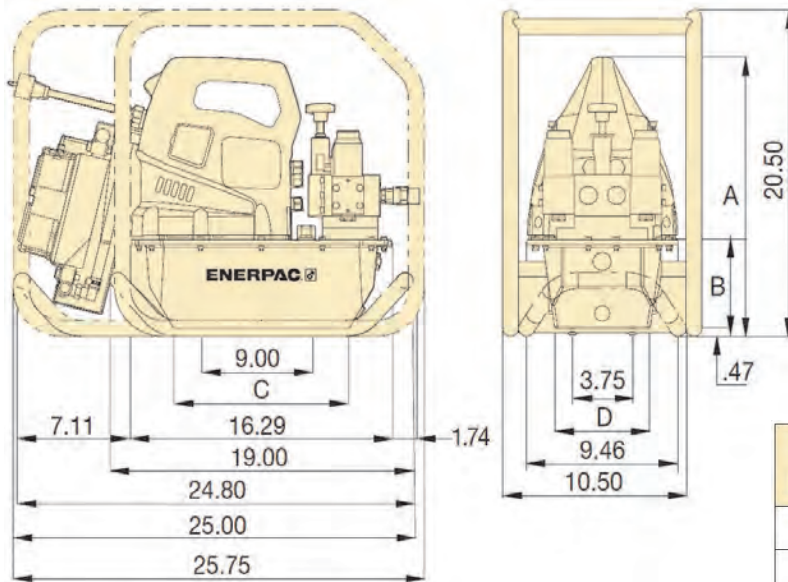


Enerpac delivers a higher value to the customer through superior products, outstanding service, along with innovative engineering support and leading edge customer driven technologies

zu-class hydraulic pump for extreme applications



ENERPAC ZU-Class Hydraulic Torque Wrench Pumps are engineered and manufactured for maximum duty cycle to 10,000 PSI (700 BAR). The rugged, high-efficiency design delivers the most oil flow in the smallest package.



- ① User adjustable relief valve
- ② Heat Exchanger (optional)
- ③ Skidbar (optional)
- ④ 4-wrench manifold (optional)
- ⑤ Roll cage (optional)



Reservoir Size (useable gallons)	A (in)	B (in)	C (in)	D (in)
1	17.0	5.6	11.0	6.0
1.75	17.0	5.6	8.1	6.6

ZU4 Performance							
Motor Size (hp)	Output Flow Rate (in ³ /min)				*Motor Electrical Specification	Sound Level (dBA)	Relief Valve Adjustment Range (psi)
	100 psi	700 psi	5,000 psi	10,000 psi			
1.7	700	535	76	60	115 VAC, 1-ph 208-240 VAC, 1-ph	85-90	1,800-10,000**

CUSTOM SOLUTIONS

Torkworx provides custom engineered solutions for the toughest bolting applications. Using Finite Element Analysis along with 3D modeling insures our systems fit and operate properly while providing the most effective method possible



ONLINE SUPPORT

All of our products come complete with operations manuals and support documentation. If ever misplaced,, this important information can be found electronically on our website. Just go to torkworx.com and click on the "Documentation" tab.



24 HOUR SUPPORT SERVICES

TORKWORX professionals are always available either on the web or by phone. If you require immediate response services, simply go online and fill out our application form or call 1-888-502-WORX. We are always ready to help and insure your job is..... Done Right the First Time.