

▼ Shown: GT-Series bolt tensioners



- Six load cells from 5/8" to 3 3/4" or from M16 to M95
- Twin ports for quick connection of multiple tools
- Only one size of bridge per size of load cell
- Detachable and rotational bridge simplifies tool positioning
- Full bridge window
- Piston stroke indicator
- Black surface treatment protects against corrosion
- Anti-slip grip for more secure handling
- Universal and multi-use tool

Accurate & Reliable Extreme Performance Bolt Tensioner



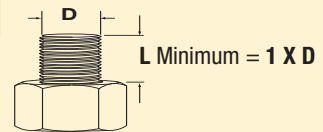
Pumps and Accessories

High pressure pumps, hoses and fittings matched for use with the Enerpac GT Bolt Tensioning system.

Page: 248



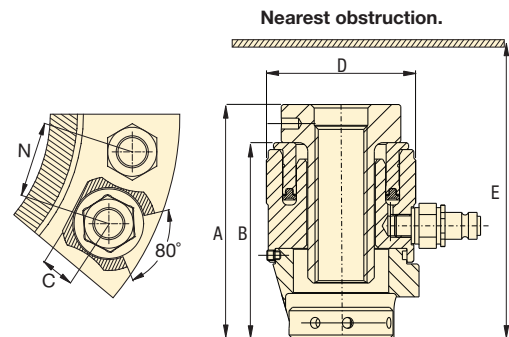
Minimum Stud Protrusion



Ultra High Pressure

These products operate at ultra-high pressure, use only the specified fittings and hoses designed for these pressures.

Page: 250



▼ GT2 Bolt Tensioner on a flange joint.



Threaded Fastener Range		Load Cell and Bridge Reference	Technical Data			Dimensions (in)				Weight (lbs)
			Cylinder Effective Area (in ²)	Load Capacity (ton)	Stroke (in)	A	B	C	D	
(in)	(mm)									
5/8" - 1"	M16-M30	GT1-LCB	2.32	25.2	0.39	5.31	4.45	1.06	3.39	6.60
1 1/8" - 1 1/2"	M30-M39	GT2-LCB	4.15	45.1	0.39	5.35	4.37	1.38	4.21	9.02
1 1/2" - 2"	M39-M52	GT3-LCB	7.95	86.4	0.39	6.30	4.96	1.81	5.43	15.40
2" - 2 1/2"	M52-M68	GT4-LCB	15.16	164.9	0.39	7.09	5.55	2.44	6.85	26.84
2 1/2" - 3 1/4"	M68-M80	GT5-LCB	23.37	254.1	0.39	7.95	6.18	3.07	8.27	41.14
3 1/4" - 3 3/4"	M80-M95	GT6-LCB	29.41	319.8	0.39	8.62	6.81	3.23	9.45	61.16

GT-Series Hydraulic Bolt Tensioners

Load Cell and Bridge Reference	Thread Size	Adaptor Kit Model Number	Pitch Between Bolts N (in)	Minimum Height E (in)	Weight (lbs)
GT1-LCB	M16 x 2	GT1PM-NRS01620	2.17	6.65	3.48
	M18 x 2.5	GT1PM-NRS01825	2.20	6.50	3.32
	M20 x 2.5	GT1PM-NRS02025	2.24	6.50	3.15
	M24 x 3	GT1PM-NRS02430	2.32	6.46	2.88
	M27 x 3	GT1PM-NRS02730	2.44	6.57	2.55
	M30 x 3.5	GT1PM-NRS03035	2.56	6.69	2.22
	$\frac{5}{8}$ " 11UN	GT1P-NRS0625U11	2.17	6.65	3.45
	$\frac{3}{4}$ " 10UN	GT1P-NRS0750U10	2.20	6.50	3.17
	$\frac{7}{8}$ " 9UN	GT1P-NRS0875U09	2.32	6.46	2.86
	1" 8UN	GT1P-NRS1000U08	2.44	6.57	2.68
1 $\frac{1}{8}$ " 8UN	GT1P-NRS1125U08	2.56	6.69	2.31	
GT2-LCB	M30 x 3.5	GT2PM-NRS03035	2.80	6.81	5.68
	M33 x 3.5	GT2PM-NRS03335	2.91	6.85	5.21
	M36 x 4	GT2PM-NRS03640	3.03	6.97	4.77
	M39 x 4	GT2PM-NRS03940	3.15	7.09	4.25
	1 $\frac{1}{8}$ " 8UN	GT2P-NRS1125U08	2.80	6.81	5.81
	1 $\frac{1}{4}$ " 8UN	GT2P-NRS1250U08	2.91	6.85	5.32
	1 $\frac{3}{8}$ " 8UN	GT2P-NRS1375U08	3.03	6.97	4.84
1 $\frac{1}{2}$ " 8UN	GT2P-NRS1500U08	3.15	7.09	4.29	
GT3-LCB	M39 x 4	GT3PM-NRS03940	3.62	8.35	12.50
	M42 x 4.5	GT3PM-NRS04245	3.78	8.46	11.77
	M45 x 4.5	GT3PM-NRS04545	3.90	8.58	10.96
	M48 x 5	GT3PM-NRS04850	4.13	8.50	10.25
	M52 x 5	GT3PM-NRS05250	4.25	8.66	9.20
	1 $\frac{1}{2}$ " 8UN	GT3P-NRS1500U08	3.62	8.35	12.56
	1 $\frac{5}{8}$ " 8UN	GT3P-NRS1625U08	3.78	8.46	11.70
	1 $\frac{3}{4}$ " 8UN	GT3P-NRS1750U08	3.90	8.58	10.89
	1 $\frac{7}{8}$ " 8UN	GT3P-NRS1875U08	4.13	8.50	10.10
	2" 8UN	GT3P-NRS2000U08	4.25	8.66	9.17
GT4-LCB	M52 x 5	GT4PM-NRS05250	4.65	9.45	23.63
	M56 x 5.5	GT4PM-NRS05655	4.76	9.61	22.22
	M60 x 5.5	GT4PM-NRS06055	4.88	9.76	20.77
	M64 x 6	GT4PM-NRS06460	5.00	9.92	19.32
	M68 x 6	GT4PM-NRS06860	5.12	10.08	17.80
	2" 8UN	GT4P-NRS2000U08	4.65	9.45	23.63
	2 $\frac{1}{4}$ " 8UN	GT4P-NRS2250U08	4.76	9.61	21.23
2 $\frac{1}{2}$ " 8UN	GT4P-NRS2500U08	5.00	9.92	18.63	
GT5-LCB	M68 x 6	GT5PM-NRS06860	5.71	10.94	38.02
	M72 x 6	GT5PM-NRS07260	5.87	11.10	36.06
	M76 x 6	GT5PM-NRS07660	5.98	11.26	34.03
	M80 x 6	GT5PM-NRS08060	6.38	11.54	32.01
	2 $\frac{1}{2}$ " 8UN	GT5P-NRS2500U08	5.67	10.79	39.16
	2 $\frac{3}{4}$ " 8UN	GT5P-NRS2750U08	5.87	11.10	35.84
	3" 8UN	GT5P-NRS3000U08	5.98	11.26	32.45
3 $\frac{1}{4}$ " 8UN	GT5P-NRS3250U08	6.38	11.54	28.86	
GT6-LCB	M80 x 6	GT6PM-NRS08060	6.65	12.28	49.02
	M85 x 6	GT6PM-NRS08560	6.65	12.28	46.20
	M90 x 6	GT6PM-NRS09060	7.01	12.48	42.57
	M95 x 6	GT6PM-NRS09560	7.13	12.68	39.69
	3 $\frac{1}{4}$ " 8UN	GT6P-NRS3250U08	6.65	12.28	45.56
	3 $\frac{1}{2}$ " 8UN	GT6P-NRS3500U08	7.01	12.48	41.43
	3 $\frac{3}{4}$ " 8UN	GT6P-NRS3750U08	7.13	12.68	36.94

GT Series



Bolt Range:

$\frac{5}{8}$ " - $3\frac{3}{4}$ " | M16-M95

Load:

0-319.8 tons

Maximum Operating Pressure

21,750 psi



How to Order

To provide maximum flexibility Load Cell and Bridges are ordered separately from Adaptor Kits.

Example, to order a complete tensioner for a 1" threaded bolt order:

1 x Load Cell and Bridge: **GT1-LCB**

1 x Adaptor Kit: **GT1P-NRS1000U08**



Bolting Integrity Software

A comprehensive on-line software solution for Bolted Joint integrity.

Integral databases hold data for:

- BS1560, MSS SP44, API 6A and 17D flanged joints
- Common gasket materials and configurations
- Comprehensive range of bolt materials
- Comprehensive range of lubricants
- Enerpac's Controlled Bolting Equipment including: Torque Multipliers, Hydraulic Wrenches and Bolt Tensioning tools

Custom Joint information can also be entered.

The software offers Tool selection, Bolt Load calculations and Tool pressure settings, as well as, a combined Application data sheet and Joint completion report.

www.enerpac.com