

TORQUE WRENCH

Air Pumps

X1A1-PT

700 bar



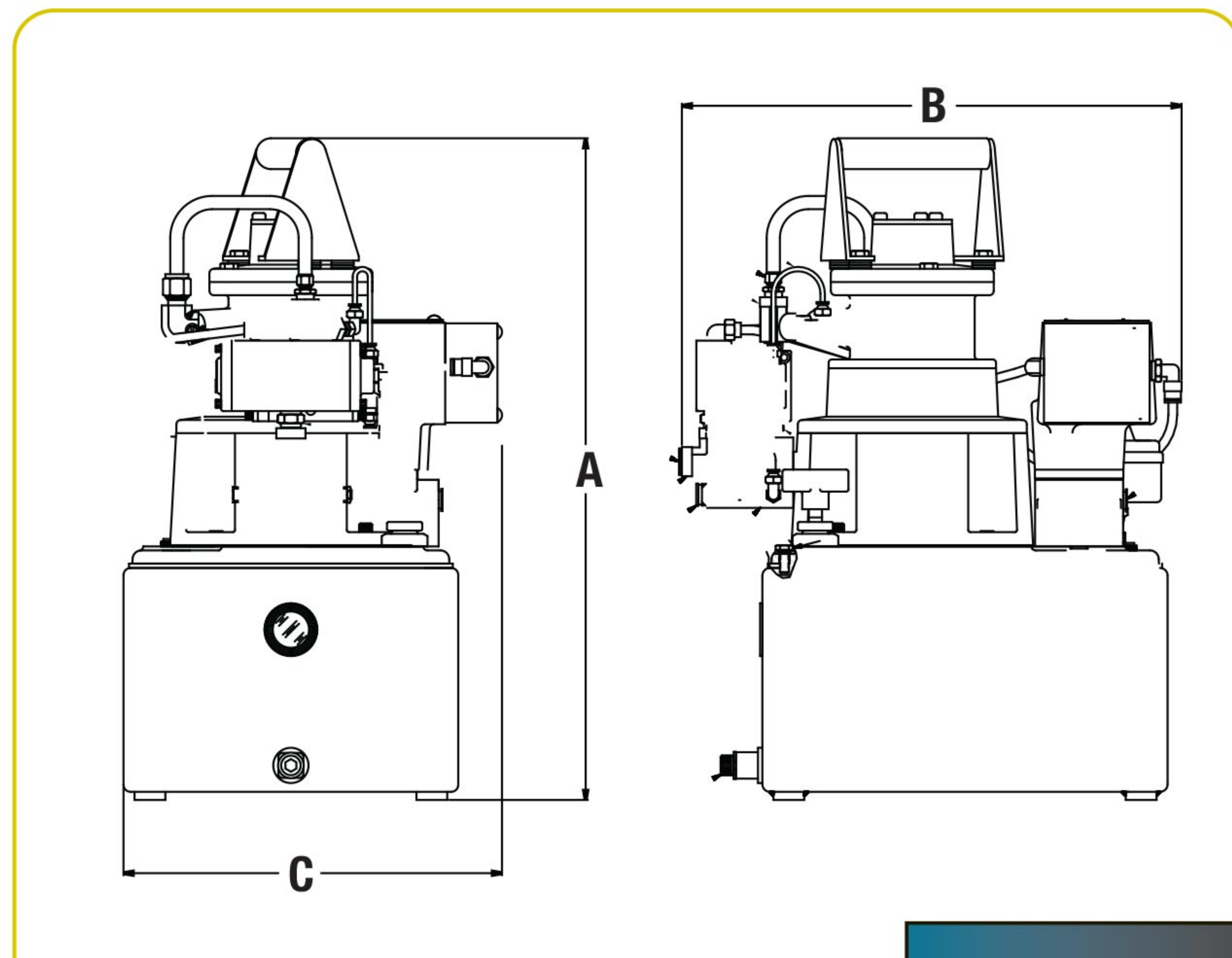
CAUTION: This Pump should not be used for lifting applications



**AIR-POWERED
TORQUE WRENCH PUMPS**

X1A1-PT FEATURES THE SAME RUGGED TIME-PROVEN DESIGN AS THE POWER TEAM X1E1-PT

- Base pump unit, Power Team PA55 series – the standard in the industry
- Two-speed high performance pump
- Retract side internal relief-valve protects tool
- 4-way 2-position air valve standard
- External adjustable pressure regulator
- Hand remote standard



HYDRAULIC TOOLS



Pump Number	Description	Oil Delivery in ³	Oil Reservoir	Weight	A	B	C
X1A1-PT	Air-Powered Torque Wrench Pump	55	2.5 Gallon	75.4	18 ³ / ₄	18	10 ³ / ₄