

ERAD electronic torque control systems



ERAD electronic torque control systems are engineered and manufactured for maximum durability and performance. They are the world's most advanced electronic pistol grip stall type torque wrench ever produced. Designed to provide continued accuracy and repeatability using the RAD legendary gear box design and the precision of electronic motor. Capable of collecting torque data, measuring torque an angle and accurate to +/- 3%.

All RAD torque guns are designed to deliver the highest power-to-weight ratio of any torque tool on the market today, saving time and money in maintenance and production costs. The extremely high torque and constant rotation make the RAD model ideal for virtually and bolting application you will encounter. Equal power in both forward and reverse allows more diversity for tough maintenance jobs.



extreme bolt working solutions

TORKWORX delivers the quality tooling required to shorten outages and save millions in downtime. TORKWORX customers are assured of the most competent and cost effective solution... Done right the first time..

extreme advancements

LIGHTER: Combining the latest advancements in ergonomic design along with an ultra-durable portable carrying case, the ERAD series torque system is a lightweight alternative to older antiquated bolting systems.

FASTER: Compared to older conventional torque systems the ERAD series electronic torque control system decreases operation time by up to 60% through the delivery of continuous torque, boosting your productivity and increasing the speed of job completion.

STRONGER: Unsurpassed power-to-weight ration and the legendary patented gearbox design insure the ERAD series offers the highest dependability and reliability in the industry.

QUIETER: The E-RAD electronic torque system operates at 75 db reducing the noise level considerably from other traditional torque systems. Along with exceptionally low vibration levels and its pistol grip style design, the E-RAD makes ergonomic sense.

superior technology

- Push-button select torque - Fast and convenient error-free digital single increment torque settings
- Lightweight and Ergonomic pistol grip design - Advanced low-profile handle to reduce operator fatigue and increase productivity
- Extremely low noise level only 75db - World's quietest extreme torque gun, ideal for sensitive environments and standards
- LED Green (Pass) or Red (Fail) indicator lights - Unmistakable visual signal indicates status of torque procedure for maximum accuracy and speed
- Data collection capability - All ERAD Series tools come complete with data collection software allowing traceability of each torque sequence performed

SALES
RENTAL
SERVICE
CONSULTING
ENGINEERING

8319 THORA LN
HANGAR E2
SPRING TX 77379 USA
888.502.WORX ph
713-481-6220 fax
www.torkworx.com

extreme electronic torque control solutions

ERAD ELECTRONIC TORQUE WRENCH SYSTEMS WITH DATA COLLECTION



RAD continues to invest in and employ the latest technologies to achieve the highest level of innovation, quality, and performance.

extreme bolt working solutions for extreme applications



CUSTOM SOLUTIONS

Torkworx provides custom engineered solutions for the toughest bolting applications. Using Finite Element Analysis along with 3D modeling insures our systems fit and operate properly while providing the most effective method possible

ONLINE SUPPORT

All of our products come complete with operations manuals and support documentation. If ever misplaced,, this important information can be found electronically on our website. Just go to torkworx.com and click on the "Documentation" tab.

24 HOUR SUPPORT SERVICES

TORKWORX professionals are always available either on the web or by phone. If you require immediate response services, simply go online and fill out our application form or call 1-888-502-WORX. We'll be always ready to help and insure your job is Done Right the First Time.



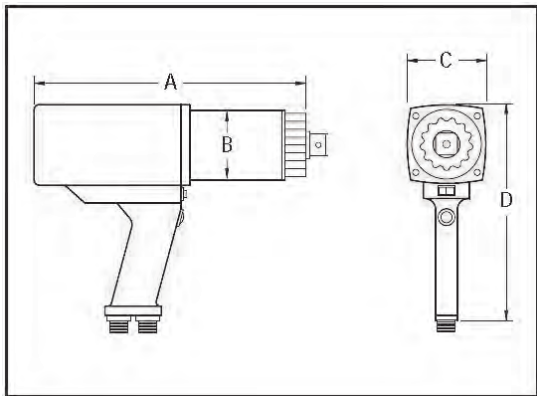
LED lights located on both sides



Integrated Fan Kit



Forward/Reverse Switch



PART NO.	TOOL MODEL	DRIVE SIZE	LOW RANGE	HIGH RANGE	WEIGHT (LBS)	DIMENSION A	DIMENSION B	DIMENSION C	DIMENSION D
14991	ERAD 700	0.75"	100	700	12	13.25"	2.5"	3.0"	8.25"
12313	ERAD1200	1.0"	200	1200	15	13.90"	3.0"	3.0"	8.25"
12314	ERAD2000	1.0"	250	2000	18	14.33"	3.0"	3.5"	8.75"
15710	ERAD2500 COMP	1.0"	250	2500	18	14.80"	3.0"	3.0"	8.25"
12703	ERAD3000	1.0"	500	3000	23.5	16.75"	3.4"	3.5"	8.75"
13992	ERAD4000	1.5"	800	4000	31	17.75"	4.0"	3.5"	8.75"
15952	ERAD6000	1.5"	1500	6000	29	16.50"	4.0"	3.5"	8.75"

data may change without notice as engineering requirements dictate

8319 THORA LANE
HANGAR E2
SPRING, TX 77379 USA
888.502.WORX ph
713-481-6220 fax
www.torkworx.com